

MIC-S6 Stereo Microscope

MIC-S60655, MIC-S60870 series zoom stereo microscopes

Main technology Specifications:



- Total magnification(standard outfits): MIC-S60655 series: 6X~55X, MIC-S60870 series: 8X~70X

Extend total magnification: MIC-S60655 series: 330X, MIC-S60870 series: 420X

- Zoom objective magnification: MIC-S60655 series: 0.6X~5.5X, zoom ratio is 9.2:1. The working distance is 108mm.

MIC-S60870 series: 0.8X~7.0X, zoom ratio is 8.8:1. The working distance is 108mm.

- With wide field and high eye point eyepiece SWH10X(Φ 23mm)

- Trinocular/Binocular drawtubes horizontal inclined 35°and main body can be rotated 360°

- The range of adjusting the diopter is ± 6

- Interpupillary distance adjustment range 52mm~76mm (Left and right move at the same time)

- The range of adjusting the focus is 50mm(the square post is 100mm).

The diameter of the center working stage is Φ 95mm

- The measurement to match between the support and the main body is Φ 76mm

- The distance between from the post center to the main body center is 140mm

- The size of the round post is Φ 25mm

- Illuminators : The down illuminator is the transmitted illumination of the fluorescent lamp(5W),

The up illuminator is the reflected illumination of the halogen lamp(6V、10W).



Joy with your eyes

Chongqing MIC Technology Co., Ltd

Website: www.micscope.com

Email: info@micscope.com

TEL: +86-13436078184; FAX: +86-23-63913139

MIC-S6 Stereo Microscope

Standard specification:

	MIC-S60655	MIC-S60655T	MIC-S60870	MIC-S60870T
Main body MIC-S60655	•			
Main body MIC-S60655T		•		
Main body MIC-S60870			•	
Main body MIC-S60870T				•
Eyepieces SWH10X	••	••	••	••
Eye shields	••	••	••	••
Stand SD1	•	•	•	•

MIC-S60655、MIC-S60870 series connect with different attachments and stands:



Main optical data:

Eyepiece	Objective	Main body		With 0.37X objective		With 0.5X objective		With 0.7X objective		With 1.5X objective		With 2X objective	
		0.6X ~5.5X	0.8X ~7X	0.22X ~2.04X	0.3X ~2.59X	0.3X ~2.75X	0.4X ~3.5X	0.42X ~3.85X	0.56X ~4.9X	0.9X ~8.25X	1.2X ~10.5X	1.2X ~11X	1.6X ~14X
10X	Total magnification	6X ~55X	8X ~70X	2.22X ~20.4X	2.96X ~25.9X	3X ~27.5X	4X ~35X	4.2X ~38.5X	5.6X ~49X	9X ~82.5X	12X ~105X	12X ~110X	16X ~140X
	Diameter of visual field(mm)	Φ38.3 ~Φ4.2	Φ28.75 ~Φ3.3	Φ99.1 ~Φ10.8	Φ74.3 ~Φ8.5	Φ76.7 ~Φ8.4	Φ57.5 ~Φ6.6	Φ54.8 ~Φ6	Φ41.1 ~Φ4.7	Φ25.6 ~Φ2.8	Φ19.2 ~Φ2.2	Φ19.2 ~Φ2.1	Φ14.4 ~Φ1.6
15X	Total magnification	9X ~82.5X	12X ~105X	3.33X ~30.5X	4.44X ~38.9X	4.5X ~41.25X	6X ~52.5X	6.3X ~57.75X	8.4X ~73.5X	13.5X ~123.75X	18X ~157.5X	18X ~165X	24X ~210X
	Diameter of visual field(mm)	Φ28.3 ~Φ3.1	Φ21.25 ~Φ2.4	Φ76.6 ~Φ8.35	Φ57.4 ~Φ6.6	Φ56.7 ~Φ6.2	Φ42.5 ~Φ4.9	Φ40.5 ~Φ4.4	Φ30.4 ~Φ3.5	Φ18.9 ~Φ2.1	Φ14.2 ~Φ1.6	Φ14.2 ~Φ1.5	Φ10.6 ~Φ1.2
20X	Total magnification	12X ~110X	16X ~140X	4.44X ~40.7X	5.92X ~51.8X	6X ~55X	8X ~70X	8.4X ~77X	11.2X ~98X	18X ~165X	24X ~210X	24X ~220X	32X ~280X
	Diameter of visual field(mm)	Φ23.3 ~Φ2.5	Φ17.5 ~Φ2	Φ63.1 ~Φ6.9	Φ47.3 ~Φ5.4	Φ46.7 ~Φ5.1	Φ35 ~Φ4	Φ33.3 ~Φ3.6	Φ25 ~Φ2.9	Φ15.6 ~Φ1.7	Φ11.7 ~Φ1.3	Φ11.7 ~Φ1.3	Φ8.75 ~Φ1



Joy with your eyes

Chongqing MIC Technology Co., Ltd

Website: www.micscope.com

Email: info@micscope.com

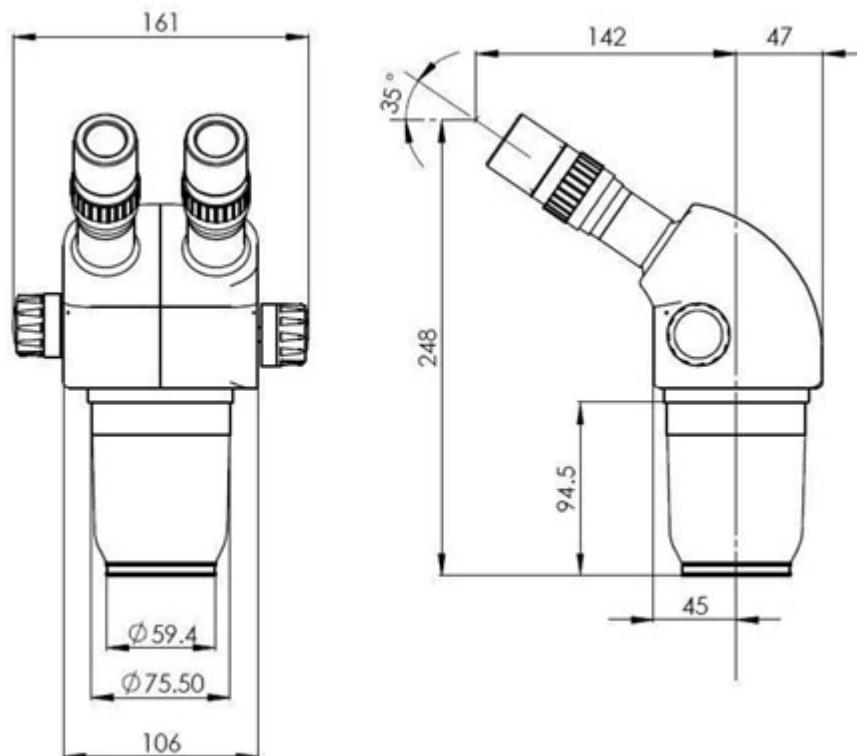
TEL: +86-13436078184; FAX: +86-23-63913139

MIC-S6 Stereo Microscope

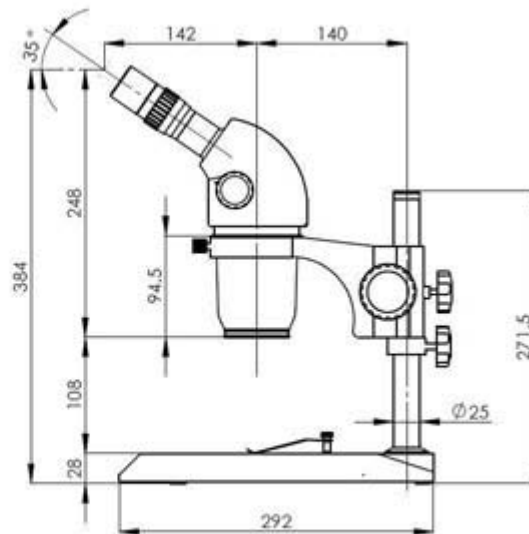
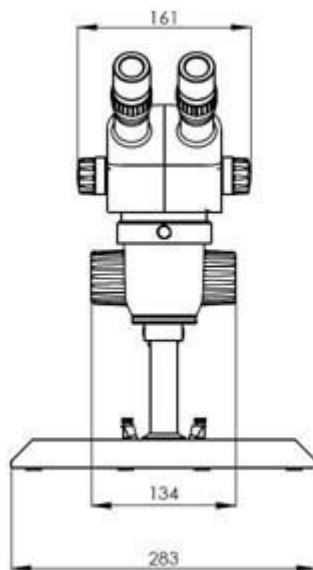
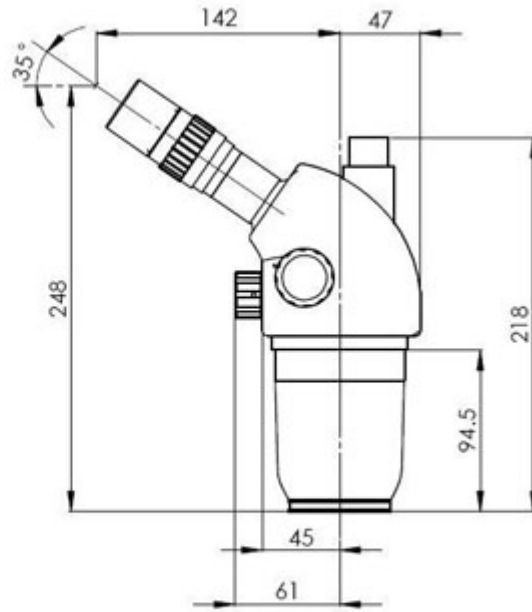
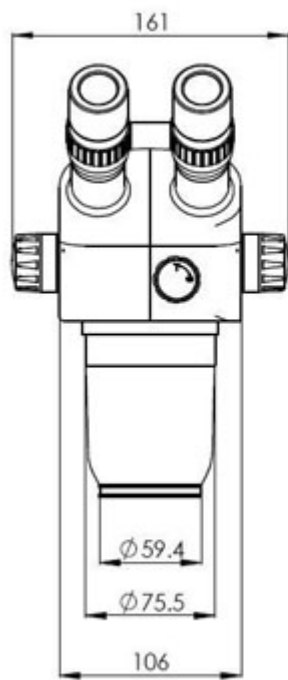
30X	Total magnification	18X ~165X	24X ~210X	6.66X ~61.1X	8.88X ~77.7X	9X ~82.5X	12X ~105X	12.6X ~115.5X	16.8X ~147X	27X ~247.5X	36X ~315X	36X ~330X	48X ~420X
	Diameter of visual field(mm)	Φ15 ~Φ1.6	Φ11.25 ~Φ1.3	Φ40.5 ~Φ4.4	Φ30.4 ~Φ3.5	Φ30 ~Φ3.3	Φ22.5 ~Φ2.6	Φ21.4 ~Φ2.3	Φ16.1 ~Φ1.8	Φ10 ~Φ1.1	Φ7.5 ~Φ0.9	Φ7.5 ~Φ0.8	Φ5.625 ~Φ0.6
Working distance(mm)		108		275		195		145		50		35	

Note: Please use lengthen round post when using 0.37X or 0.5X objective. When using 0.37X objective, the round post lengthen to 350 mm at least.

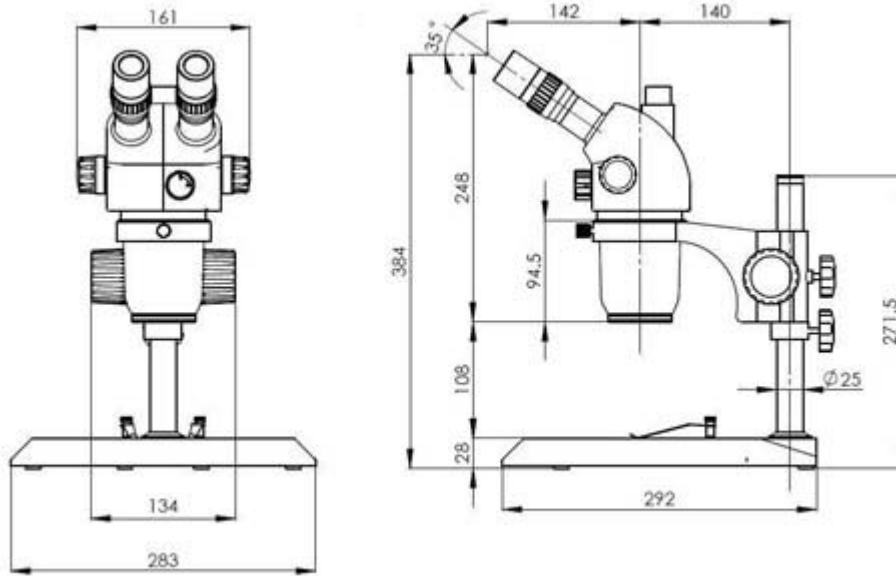
Dimensional Drawing:



MIC-S6 Stereo Microscope



MIC-S6 Stereo Microscope



Optional stand and base stage:



Note: “●” in the table is standard attachment. “○” is optional accessories.

Design change: To keep pace with technological advances, we have reserved the right to make design modification and changes without notice.

CE ISO9001
ISO14001

MIC[®]
Joy with your eyes

Chongqing MIC Technology Co., Ltd

Website: www.micscope.com

Email: info@micscope.com

TEL: +86-13436078184; FAX: +86-23-63913139